

Applications

- LNG process / All liquefied gases

Working conditions

- Temperature : from -196°C to +100°C
- Rating : ASME B16.34

Materials

- Casting ASTM A351 CF8 , ASTM A351 CF8M
 ASTM A351 CF3M

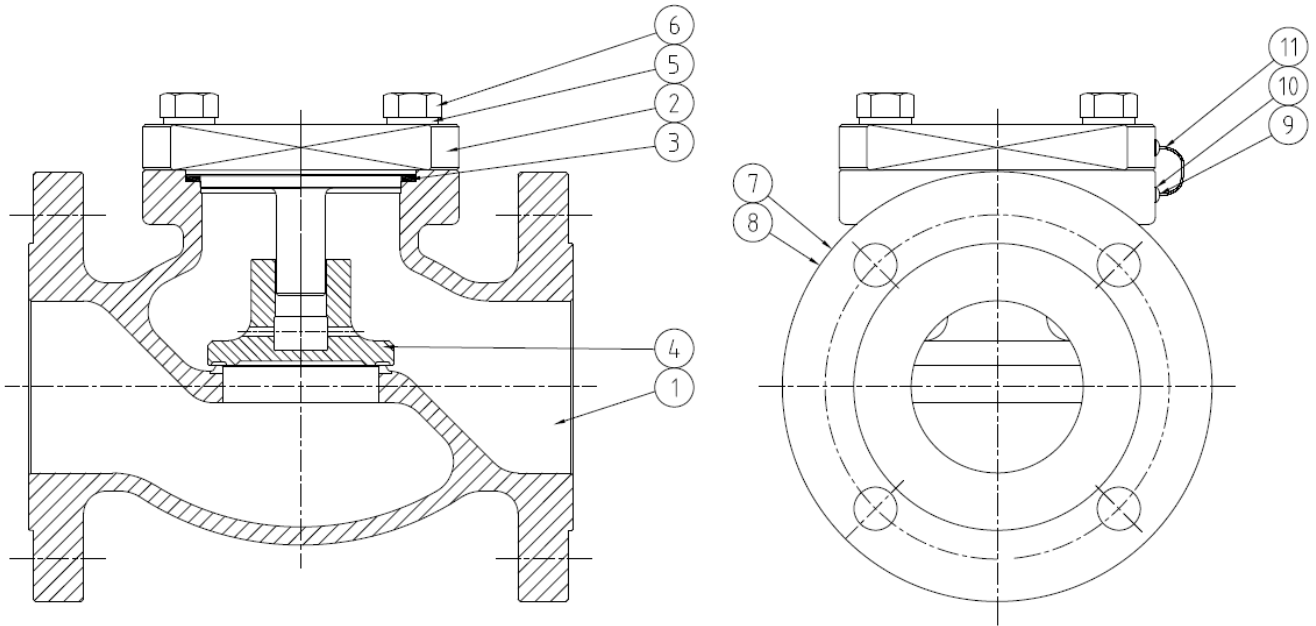
Design

- Bolted cover
- Flanged , socked welding , or butt welding connection
- Rating : ASME B16.34
- End to end dimension per ASME B16.10 for flanged and butt-welded valves
- Dash pot
- Dimension per ASME B16.25 for butt-welded ends
- Gasket :Pure Graphite or SS+ Graphite
- Type approval by LR/ABS/BV/DNV
- End to end dimension manufacture standard for socket welding valves
- Other variants

Variant on request

On all inquiries / orders please specify

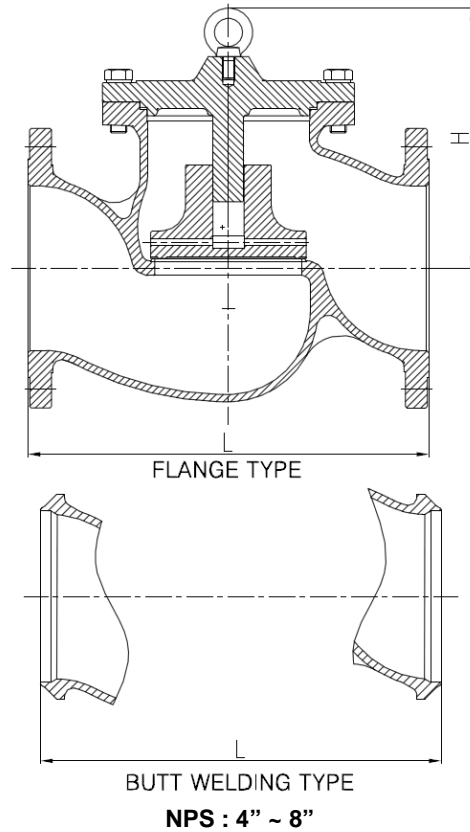
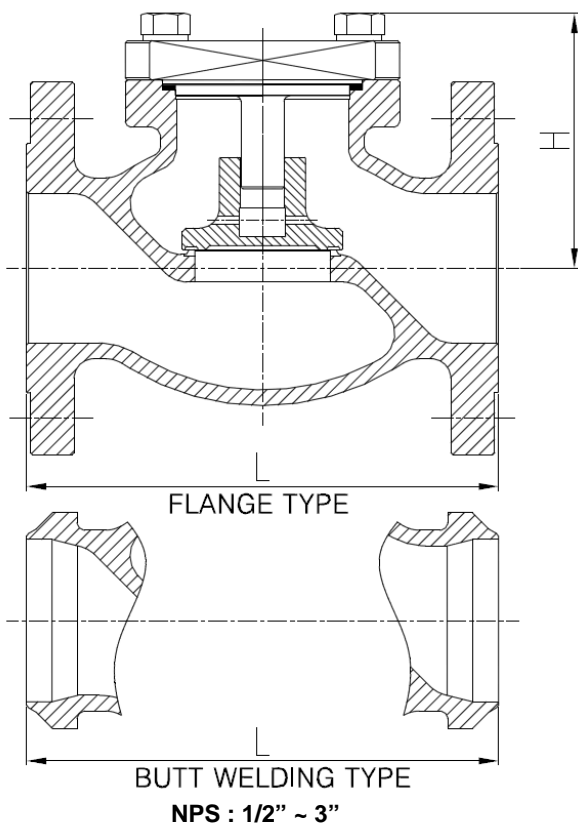
- 1 Valve type
- 2 Pressure class
- 3 Size
- 4 Design pressure
- 5 Design temperature
- 6 Differential pressure-shut off
- 7 Flow media
- 8 Material of construction
- 9 Trim material
- 10 Type of end connection
- 11 Pipe schedule(for butt-weld)
- 12 Operation Method
- 13 Variants
- 14 Valve data sheet if applicable

LIFT Check Valve - Class 150 – NPS ½” to 8”

Materials

Part No.	Part Name	Material	Part No.	Part Name	Material
1	Body	ASTM A351-CF8M	7	Name plate	ASTM A240-316
2	Bonnet	ASTM A276-316	8	Rivet	304SS
3	Gasket	316SS+Graphite	9	Rounded headed bolt	316SS
4	Disc	ASTM A276-316	10	Washer	316SS
5	Nord-lock washer	SUS312L+254SMO	11	Wire	SUS316
6	Hex bolt	ASTM A320-B8M			

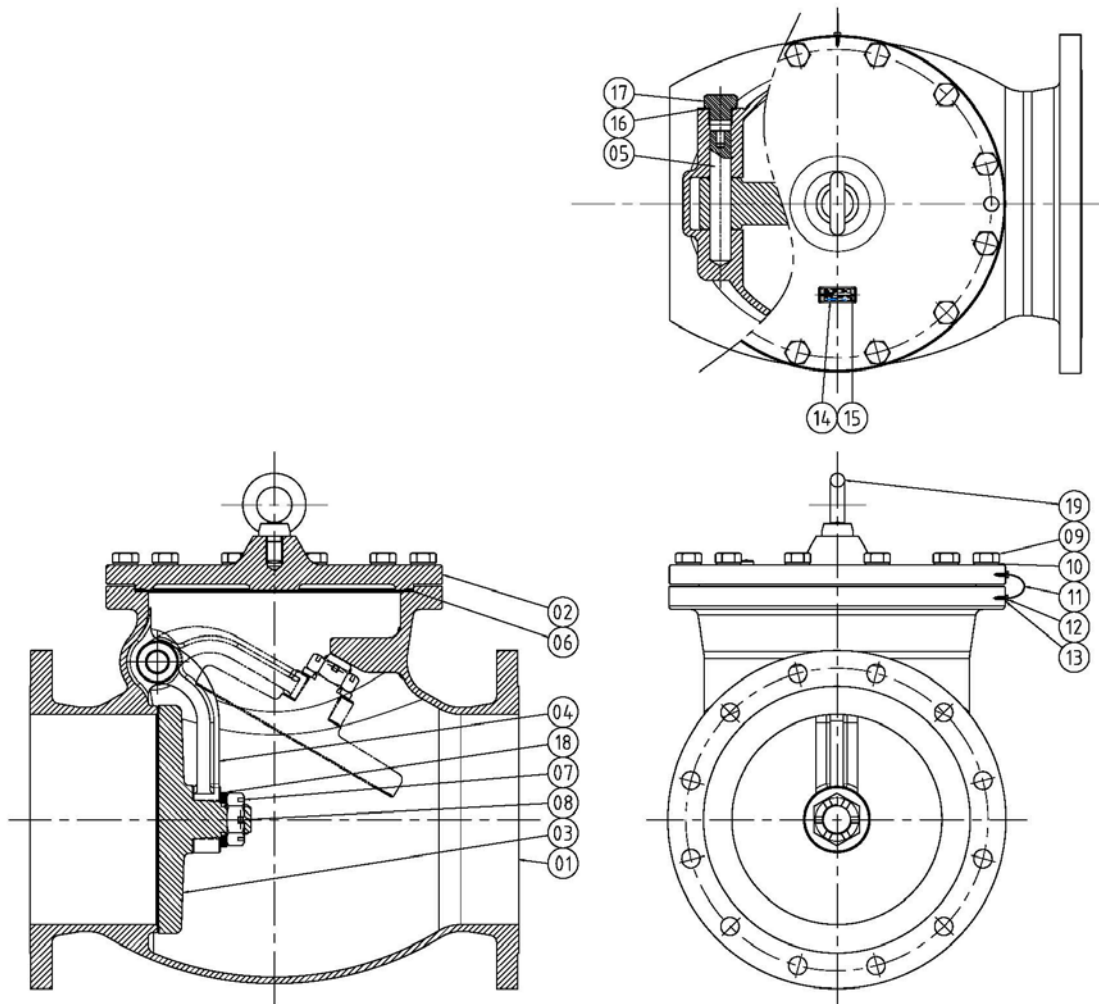
LIFT Check Valve - Class 150 – NPS 1/2” to 8”
Design Specifications

Pressure/Temperature Rating: ASME B16.34
 Flange Dimensions(NPS 1/2" to 8"): ASME B16.5
 Buttweld Ends : ASME B16.25
 End-to-End: ASME B16.10


Dimensions (Unts : mm)

CLASS 150		1/2"	3/4"	1"	1" 1/4	1" 1/2	2"
L	FLG	108	117	127	140	165	203
	B.W	108	117	127	140	165	203
H		59	69.5	72	82.5	86.5	104

CLASS 150		2" 1/2	3"	4"	5"	6"	8"
L	FLG	216	241	292	356	406	495
	B.W	216	241	292	356	406	495
H		115	130	208	226	272	321

SWING Check Valve - Class 150 – NPS 1”to 24”

Materials

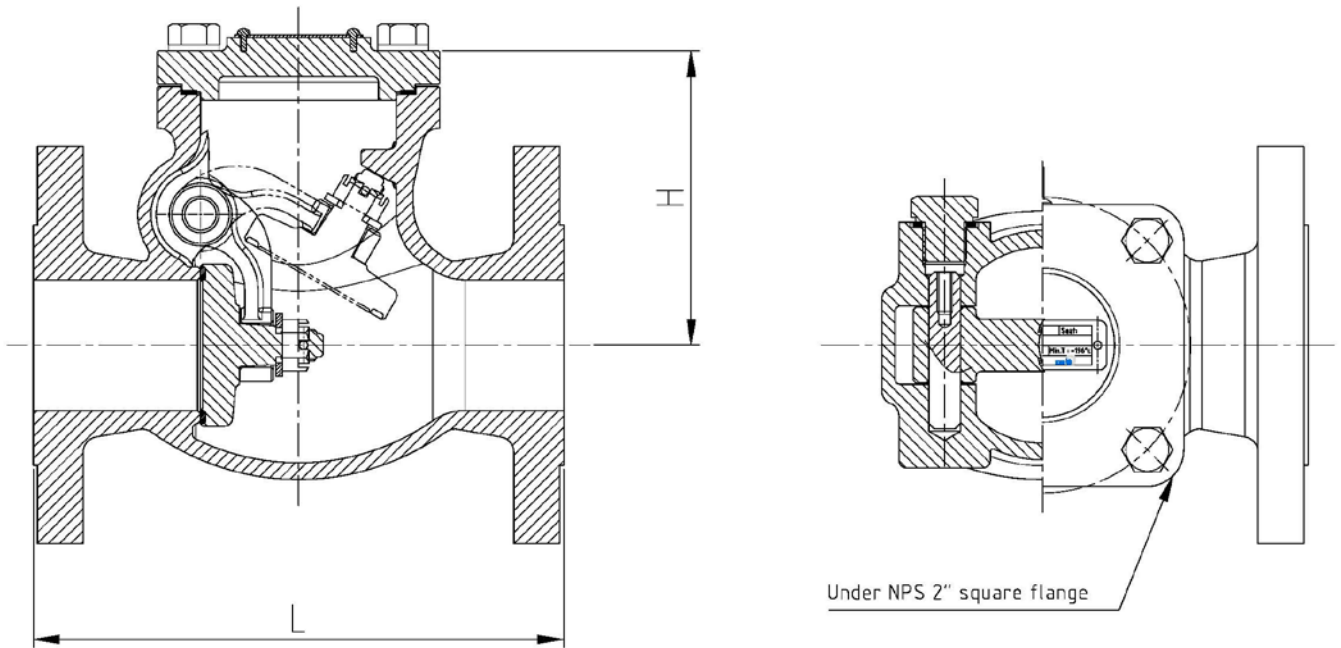
Part No.	Part Name	Material	Part No.	Part Name	Material
1	Body	ASTM A351-CF8M	11	Wire	SUS316
2	Bonnet	ASTM A351-CF8M	12	Washer	SUS316
3	Disc	ASTM A351-CF8M	13	Hex bolt	SUS316
4	Hinge	ASTM A351-CF8M	14	Name plate	SUS316
5	Hinge pin	SUS316	15	Rivet	SUS316
6	Bonnet gasket	Graphite	16	Gasket	Copper
7	Fluted nut	SUS316	17	Plug	SUS316
8	Split pin	SUS316	18	Washer	SUS316
9	Hex bolt	SUS316	19	Eye bolt	SUS304
10	Nord-lock washer	SUS316			

Note : Eye bolt is only over NPS 4"

SWING Check Valve - Class 150 – NPS 1”to 24”

Design Specifications

Pressure/Temperature Rating: ASME B16.34
 Flange Dimensions(NPS 1” 1/2 to 24”): ASME B16.5
 Butt weld Ends : ASME B16.25
 End-to End: ASME B16.10



Dimensions

CLASS 150		1"	1 ¹ / ₄ "	1 ¹ / ₂ "	2"	2 ¹ / ₂ "	3"	4"	5"	6"
L	inch	5	5.5	6	8	9	9	11	13	14
	mm	127	140	165	203	216	241	292	330	356
H	inch	3	3	4	4.5	5	6	6.5	7.5	8.5
	mm	77	84	95	113	132	145	160	191	215

CLASS 150		8"	10"	12"	14"	16"	18"	20"	22"	24"
L	inch	19	24	27	31.5	37	39	38.5	42	51
	mm	495	622	698	787	914	978	978	1067	1295
H	inch	10	12.5	14.5	17	20	22	37.5	26	27.5
	mm	255	310	365	427	488	547	954.5	658.5	702.5

Product Code
- WADA Cryogenic Swing Check Valve Class 150

WSC	150	DN15	RF	b1	c1	d1	t21
①	②	③	④	⑤	⑥	⑦	⑧

- | | |
|---|--|
| <p>① Valve designation
WSC : WADA Swing Check Valve</p> <p>② Pressure Class
150 : ASME B16.34 #150</p> <p>③ Nominal Diameter
DN25/32/40/50/65/80/100/125/150/200/250/300/350/
400/450/500/550/600</p> <p>④ Connection
RF : Flanged
BW : Butt Welding</p> <p>⑤ Body Material
b1 : ASTM A351 CF8M (RF)
b2 : ASTM A351 CF3M (BW)</p> | <p>⑥ Bonnet Material
c1 : ASTM A351 CF8M
for DN100/125/150/200/250/300/350/400/450/
500/550/600
c2 : 316SS for DN25/32/40/50/65/80</p> <p>⑦ Disc Material
d1 : ASTM A351 CF8M</p> <p>⑧ Seat Material
t21 : Stellite 21</p> |
|---|--|

- WADA Cryogenic Lift Check Valve Class 150

WLC	150	DN15	RF	b1	c1	d1	t21
①	②	③	④	⑤	⑥	⑦	⑧

- | | |
|--|--|
| <p>① Valve designation
WSC : WADA Swing Check Valve</p> <p>② Pressure Class
150 : ASME B16.34 #150</p> <p>③ Nominal Diameter
DN15/20/25/32/40/50/65/80/100/125/150/200</p> <p>④ Connection
RF : Flanged
BW : Butt Welding
SW : Socket Welding (DN15/20/25)</p> <p>⑤ Body Material
b1 : ASTM A351 CF8M (RF)
b2 : ASTM A351 CF3M (BW/SW)</p> | <p>⑥ Bonnet Material
c2 : 316SS</p> <p>⑦ Disc Material
d2 : 316SS</p> <p>⑧ Seat Material
T21 : Stellite 21</p> |
|--|--|