

Pressure Relief Valve and Pressure
Sustaining Valve

CONDA-VSM

PN 16/25/40
DN 50-150

Type Series Booklet



Legal information/Copyright

Type Series Booklet CONDA-VSM

All rights reserved. The contents provided herein must neither be distributed, copied, reproduced, edited or processed for any other purpose, nor otherwise transmitted, published or made available to a third party without the manufacturer's express written consent.

Subject to technical modification without prior notice.

© KSB SE & Co. KGaA, Frankenthal 31/01/2018

Contents

Control Valves / Measurement Valves	4
Pressure Relief Valves and Pressure Sustaining Valves to DIN/EN	4
CONDA-VSM	4
Main applications.....	4
Fluids handled	4
Operating data.....	4
Body materials.....	4
Design details	4
Product benefits.....	4
Related documents	4
Purchase order specifications	4
Pressure/temperature ratings.....	5
Materials.....	6
Dimensions and weights.....	7

Control Valves / Measurement Valves

Pressure Relief Valves and Pressure Sustaining Valves to DIN/EN

CONDA-VSM



Main applications

- Domestic water supply
- Water treatment systems
- Water supply systems

Fluids handled

- Grey water
- Drinking water

Operating data

Operating properties

Characteristic	Value
Nominal pressure	PN 16/25/40
Nominal size	DN 50 - 150
Max. permissible pressure [bar]	40
Min. permissible temperature [°C]	≥ -10
Max. permissible temperature [°C]	≤ +70

Selection as per pressure/temperature ratings (⇒ Page 5)

Body materials

Overview of available materials

Material	Material number	Temperature limit
EN-GJS-450-10	5.3107	+70 °C

Design details

Design

- Design to EN 12516
- Straight-way pattern
- Epoxy-coated body

Variants

- PN 25 1-inch variant made of stainless steel, with diaphragm and threaded ends
- Viton sealing elements

Product benefits

- New piston technology with self-cleaning system
- Insensitive to air pockets
- Easy to operate and service
- Double-guided piston

Related documents

Information/documents

Document	Reference number
Operating manual	V959011/1.10

Purchase order specifications

Please specify the following information in all enquiries or purchase orders:

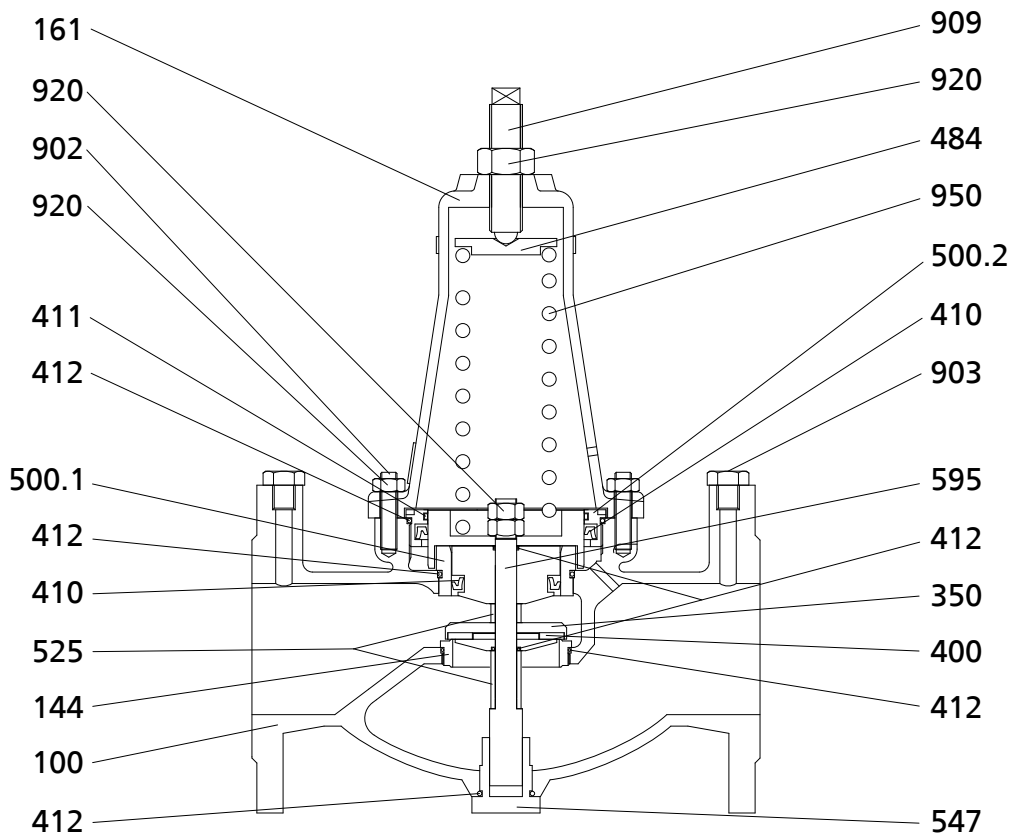
1. Type
2. Nominal pressure
3. Nominal size
4. Operating pressure
5. Operating temperature
6. Materials
7. Fluid handled
8. Pipe connection
9. Variants
10. Number of type series booklet

Pressure/temperature ratings

Permissible operating pressures [bar] (to EN 12266-1)

PN	Material	[°C]					
		-10 to 120	150	200	250	300	350
16	EN-GJS-450-10	16,0	15,2	14,4	12,8	11,2	8,8
25		25,0	23,8	22,5	20,0	17,5	13,8
40		40,0	38,0	36,0	32,0	28,0	22,0

Materials

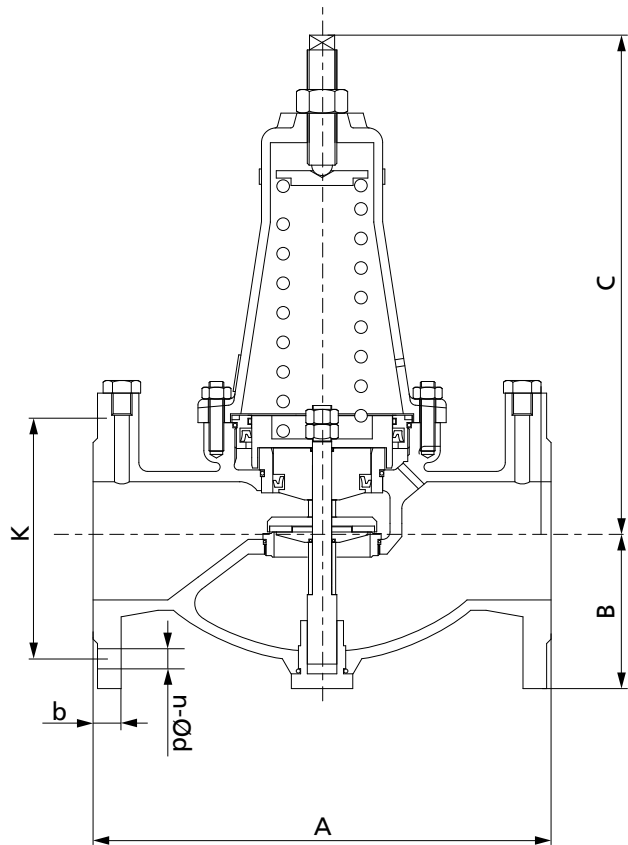


CONDA-VSM

Parts list

Part No.	Description	Material	Material number	Note
100	Body	EN-GJS-450-10	5.3107	-
144	Seat	Stainless steel	-	-
161	Body bonnet	EN-GJS-450-10	5.3107	-
350	Valve disc	Stainless steel	-	-
400	Gasket	NBR	-	Vulcanised
410	Profile seal	NBR	-	-
411	Joint ring	PTFE	-	-
412	O-ring	NBR	-	-
484	Spring plate	Stainless steel	-	-
500.1	Ring	Bronze	-	-
500.2	Ring	Stainless steel	-	-
525	Spacer sleeve	Stainless steel	-	-
547	Guide bush	Stainless steel	-	-
595	Piston	Stainless steel	-	-
902	Stud	Stainless steel	-	-
903	Screw plug	Stainless steel	-	-
909	Adjusting screw	Stainless steel	-	-
920	Nut	Stainless steel	-	-
950	Spring	SiCr	-	-

Dimensions and weights



CONDA-VSM

Dimensions [mm] and weights [kg]

PN	DN	A	B	C	K	b	n	Ød	[kg]
16	50	230	83	280	125	19	4	19	12
	65	290	93	320	145	19	4	19	19
	80	310	100	350	160	19	8	19	24
	100	350	117	420	180	19	8	19	34
	125	400	135	590	210	23,5	8	19	56
	150	450	150	690	240	26	8	23	74
25	50	230	83	280	125	19	4	19	12
	65	290	93	320	145	19	8	19	19
	80	310	100	350	160	19	8	19	24
	100	350	117	420	190	19	8	23	34
	125	400	135	590	220	23,5	8	28	56
	150	450	150	690	250	26	8	28	74
40	50	230	83	280	125	19	4	19	12
	65	290	93	320	145	19	8	19	19
	80	310	100	350	160	19	8	19	24
	100	350	117	420	190	19	8	23	34
	125	400	135	590	220	23,5	8	28	56
	150	450	150	690	250	26	8	28	74

Mating dimensions as per standard

Face-to-face EN 558-1/28, NF 29305-1
lengths:

Flanges: DIN EN 1092-2



KSB SE & Co. KGaA
Johann-Klein-Straße 9 • 67227 Frankenthal (Germany)
Tel. +49 6233 86-0
www.ksb.com